



Marine Super Cell Fender



ZHIYOU MARINE

Marine & Offshore Equipment Supplier

Shanghai Zhiyou Marine & Offshore Equipment Co., Ltd

Web: www.marineoutfittings.com

Email: info@marineoutfittings.com

Tel: +86 21 5645 2367

Brief

Marine super cell fender is one of the most proven and reliable fenders styles ever designed, and historically has been the most commonly used fender in the industry. It is unmatched in durability and reliability and has proven itself over decades of service.

In the front of the cell rubber fender system, there always be equipped with frontal frame. The frontal frame is including the steel panel and the UHMW-PE face pad. It is greatly reduce the face pressure on ship panel and the friction coefficient.

Specification

Available in a wide range of sizes from 400mm height to 3000mm height.

Marine super cell fenders with marine panels design.

Material of accessories with hot galvanizing or stainless steel.

Other requirements.

Features

Low reaction force and high capability of energy absorption.

Due to its structure, the super cell fender has the characteristic of higher force absorption and long usage life.

Usually suitable for petrol oil and coal large ports.

Dimensions

H	ΦD1	ΦD2	h	n-Φd
400	Φ550	Φ650	25	4-Φ30
500	Φ550	Φ650	25	4-Φ32
800	Φ900	Φ1050	30	6-Φ40
1000	Φ1100	Φ1300	35	6-Φ47
1450	Φ1650	Φ1850	47	6-Φ61
2000	Φ2000	Φ2200	55	8-Φ74
2500	Φ2700	Φ2950	70	10-Φ90

More dimensions please see the drawing enclosed. Customized solution or any other requirements please [contact us](#).



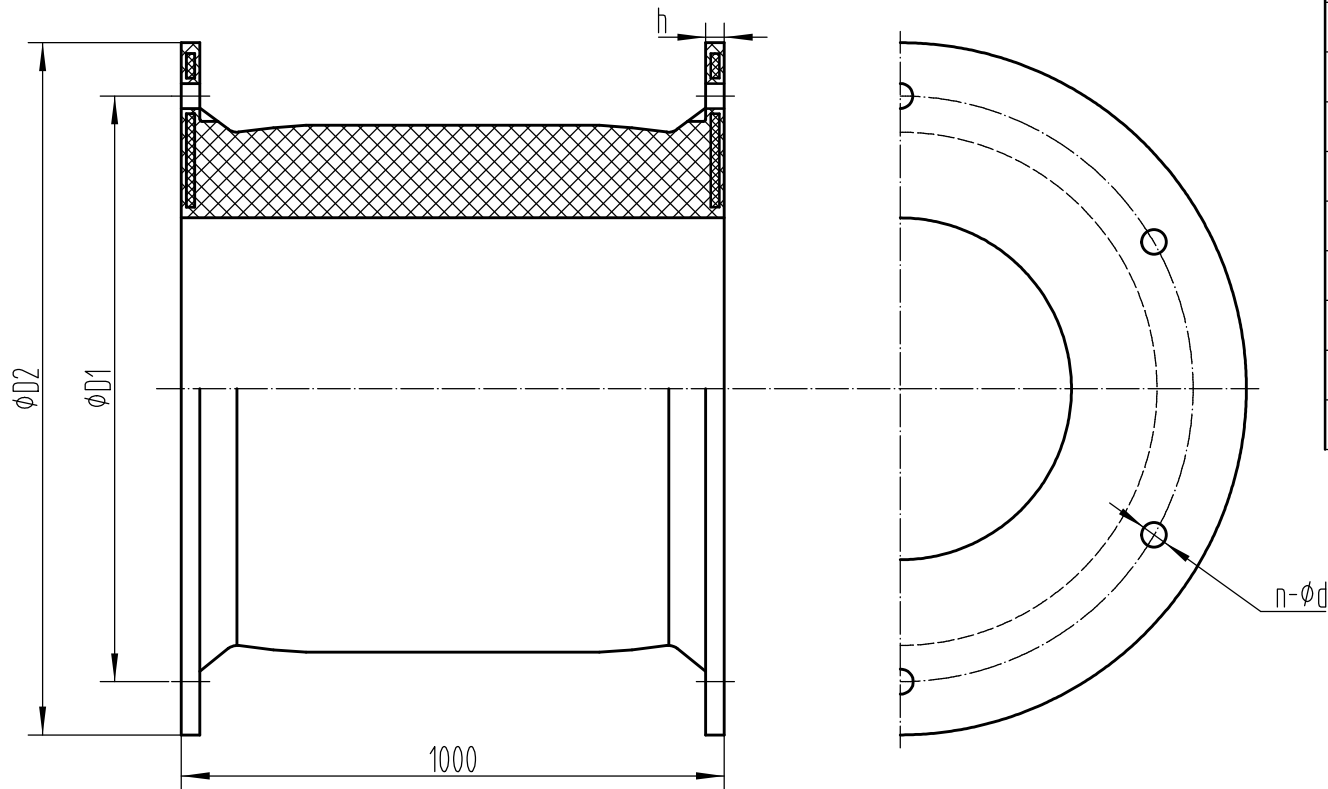
Shanghai Zhiyou Marine & Offshore Equipment Co., Ltd

Web: www.marineoutfittings.com



Email: info@marineoutfittings.com

Tel: +86 21 5645 2367

The drawings are for reference only, not used as production drawings. 此圖紙僅供參考，不作為生產圖紙。



NO.	H	$\phi D1$	$\phi D2$	h	n- ϕd
1	400	550	650	25	4- $\phi 30$
2	500	550	650	25	4- $\phi 32$
3	630	700	840	30	4- $\phi 39$
4	800	900	1050	30	6- $\phi 40$
5	1000	1100	1300	35	6- $\phi 47$
6	1150	1300	1500	40	6- $\phi 50$
7	1250	1450	1650	45	6- $\phi 53$
8	1450	1650	1850	47	6- $\phi 61$
9	1600	1800	2000	50	8- $\phi 61$
10	1700	1900	2100	55	8- $\phi 66$
11	2000	2000	2200	55	8- $\phi 74$
12	2250	2300	2550	60	10- $\phi 74$
13	2500	2700	2950	70	10- $\phi 90$
14	3000	3150	3350	75	12- $\phi 90$

1		
Rev	Description	Date
Note	All dimensions are in millimeters unless otherwise specified.	
 Shanghai Zhiyou Marine & Offshore Equipment Co., Ltd Room 405, Fudan Software Park, 188 Changyi Road, Shanghai China. Tel: +86-21-5645-2367 Email: sales@zhiyoumarine.com info@marineoutfittings.com Web: www.zhiyoumarine.com www.marineoutfittings.com		
Dwg Name	Marine Super Cell Rubber Fender	
	Scale	1:7.5 @A3
	Sheet	1/1
Dwg No.	ZY-MRF-SC	-

The drawings are for reference only, not used as production drawings. 此圖紙僅供參考，不作為生產圖紙。